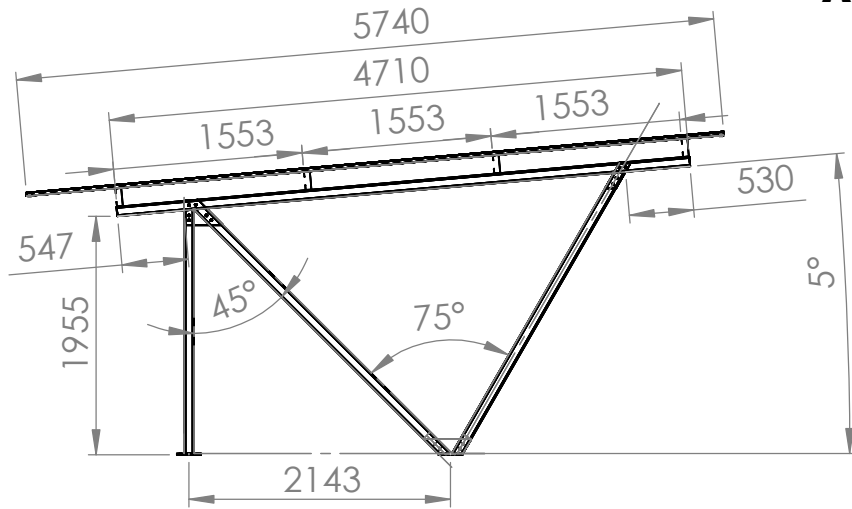
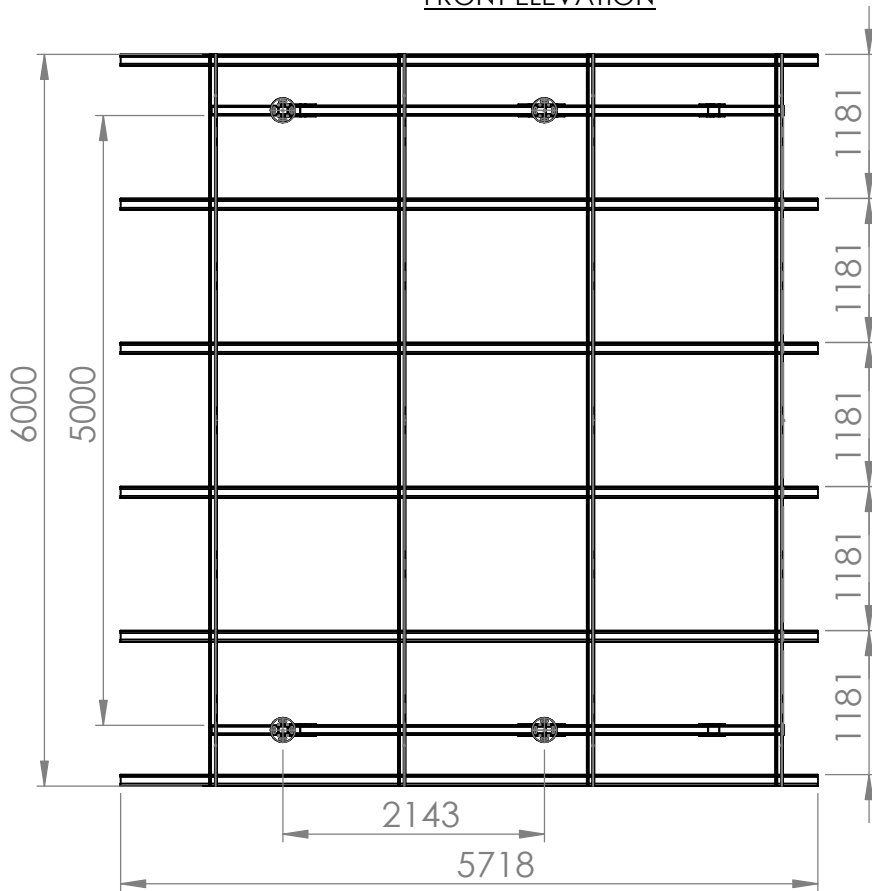


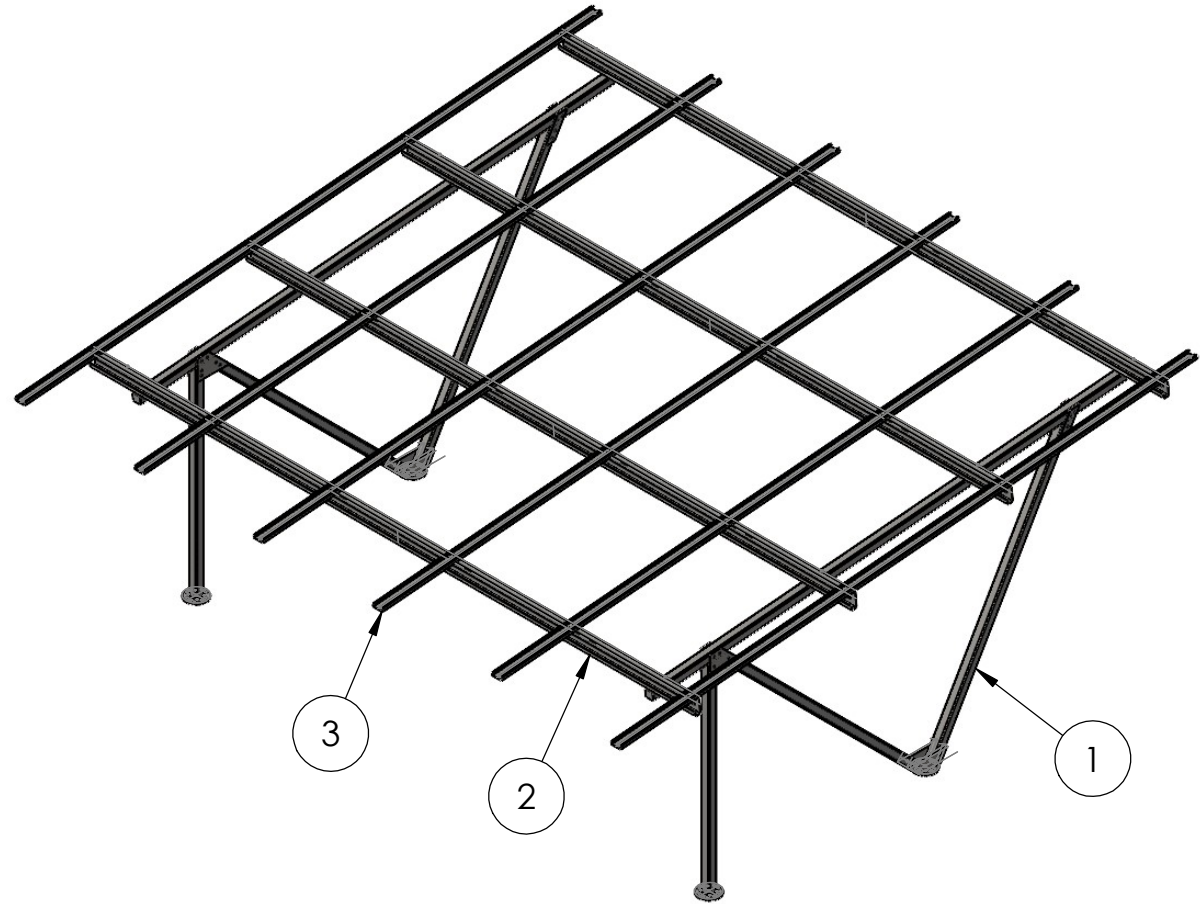
ASSEMBLY : CARPORT 5M



FRONT ELEVATION



PLAN VIEW



Item no	Part name	Description	Qty
1	Carport foot	Square tube structure	2
2	C-Profile	150x50mm	4
3	C-Profile	95x30mm	6

Note: Alldimensions are in mm