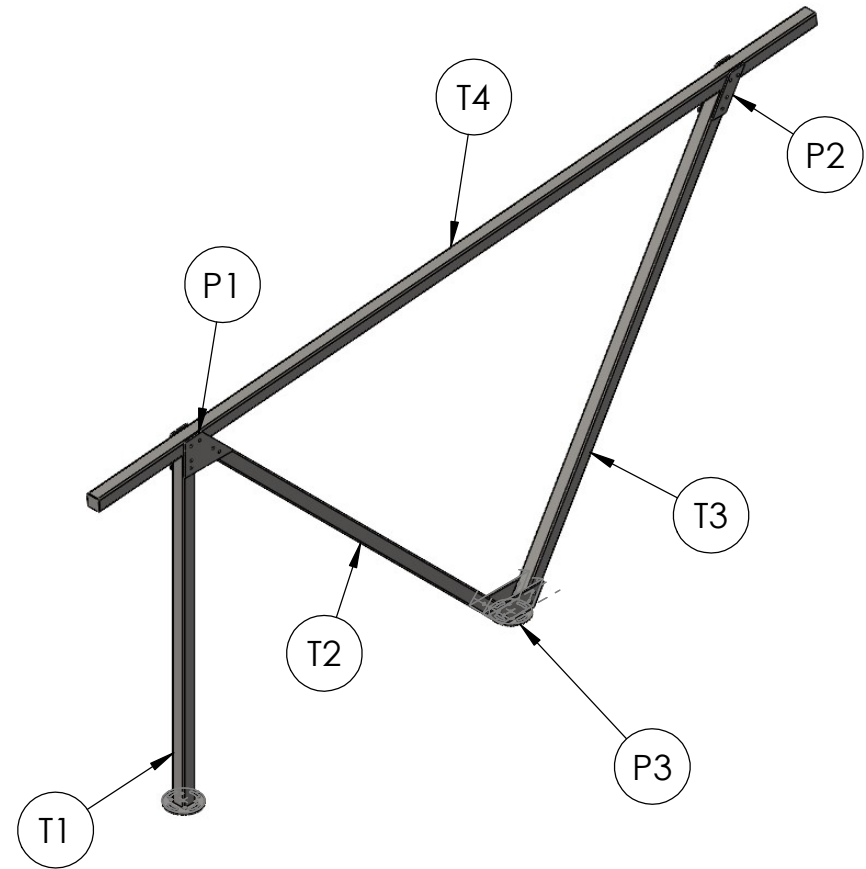


FRONT ELEVATION



PLAN VIEW

Item no	Material	Qty
T1	80x80mm Square tube	1
T2	80x80mm Square tube	1
T3	80x80mm Square tube	1
T4	80x80mm Square tube	1
P1	10mm Plate	2
P2	10mm Plate	2
P3	10mm Plate assembly	1

Note: All dimensions are in mm